

aqua/watt

electric outboards



EN-1-2023



UNIVERSAL

Comparable to
20 HP
gasoline engine

Green Power 4 to 13 kW

Output power is programmable according to local rules by *aquawatt*.

Perfect for commercial and pleasure crafts.

Higher power output and thrust than conventional electric boat motors.

All relevant parts are made of seawater resistant aluminium or stainless steel.

Digital motor controller.

Highly efficient water-cooled AC induction motor.

Perfect for salt water use due to zinc anode.



Specifications	
Controls	Tiller or single lever control
Power input/output	15.5 kW / 13 kW
Transom height	20 inch
Nominal voltage	48/50 V
Current from battery max.	320 Amp
Weight	52 kg
Propeller size	9.25 to 10 inch
Thrust with standard propeller	112 daN / 135 daN
Thrust with thrust propeller	123 daN / 148 daN
Maximum speed	23 knots
Range of use	Lakes, rivers, coast
Battery	Lithium battery 50 V 160-600 Ah AGM lead batteries from 150 Ah

Green Power and Green Racing can also be ordered with tiller control. A kill switch is included.



SPEED

Comparable to
35 HP
gasoline engine

Green Racing 22 kW

For light and fast pleasure crafts.

Water-cooled three-phase AC induction motor for incredible speed.

All relevant parts are made of seawater resistant aluminium or stainless steel.

Digital motor controller.

Perfect for salt water use due to zinc anode.

Specifications	
Controls	Tiller or single lever control
Power input / output	26 kW / 22 kW
Transom height	20 inch
Nominal voltage	80 V
Current from battery max.	320 Amp
Weight	63 kg
Propeller size	9.25 inch
Thrust with standard propeller	150 daN
Thrust with thrust propeller	N/A
Maximum speed	26 knots
Range of use	Lakes, rivers, coast
Battery	Lithium battery 80 V 160-200 Ah



HIGH THRUST

Comparable to
40 HP
gasoline engine

Green Thruster 22 kW

Extra heavy duty thrust motor for commercial crafts.

Water-cooled three-phase induction motor for high thrust. Digital motor controller. All relevant parts are made of sea water resistant aluminium or stainless steel.

For professional use in fresh and salt water.
For single lever control only.



Specifications	
Controls	Single lever control
Power input / output	26 kW / 22 kW
Transom height	20 inch
Nominal voltage	80 V
Current from battery max.	320 Amp
Weight	94 kg
Propeller size	12 inch
Thrust with standard propeller	250 daN
Thrust with thrust propeller	300 daN
Maximum speed	22 knots
Range of use	Rivers, lakes, coast
Battery	Lithium battery 80 V 160-600 Ah or 7 x 12 V = 84 V AGM batteries from 150 Ah



HIGH SPEED

Comparable to
70 HP
gasoline engine

Green Flash 42 kW

Most powerful aquawatt electric outboard for pleasure and commercial crafts.

For wakeboard and water skiing also.

Water-cooled three-phase high power induction motor. Digital motor controller.
All relevant parts are made of sea water resistant aluminium or stainless steel.

For professional and pleasure use in fresh and salt water.

For single lever control only

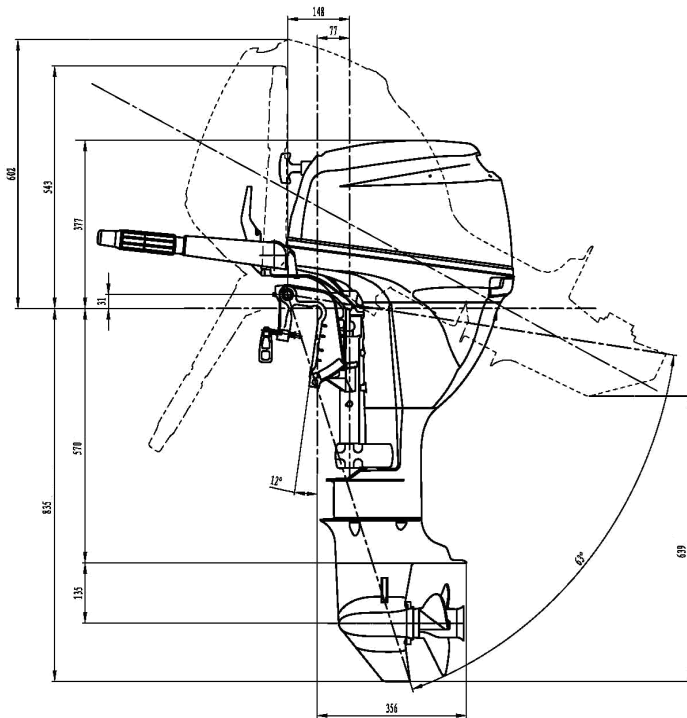


Specifications	
Controls	Single lever control
Power input / output	50 kW / 42 kW
Transom height	20 inch
Nominal voltage	144 V
Current from battery max.	360 Amp
Weight	98 kg
Propeller size	12 inch
Maximum speed	30 knots
Range of use	Rivers, lakes, coast
Battery	Lithium battery 144 V 160-200 Ah

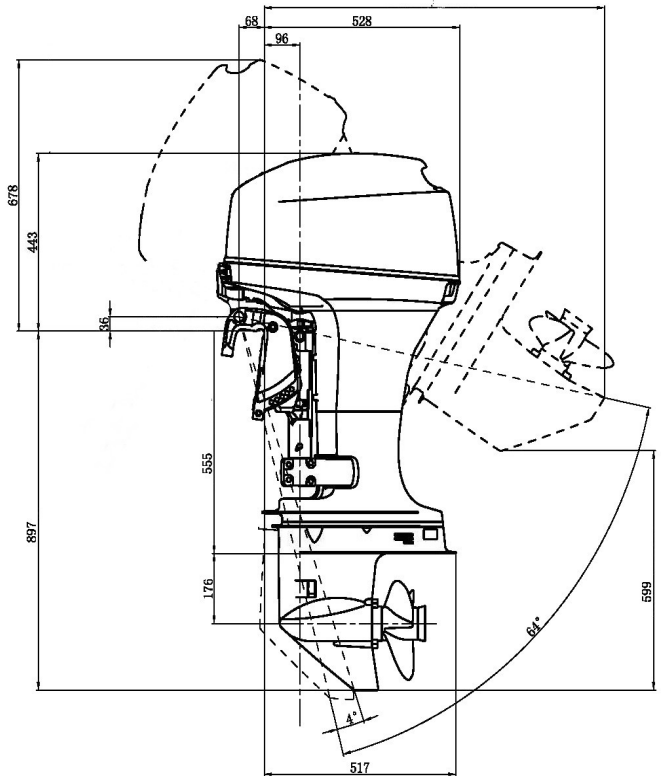


DIMENSIONS

Green Power / Green Racing



Green Thruster / Green Flash



Measurements in millimeters

General information and accessories

aquawatt outboards conform to the highest European standards. The motor can be started using only a key. All outboards are equipped with a man-over-board kill switch. Made in Austria.

Gauges

aquawatt electric outboards are equipped with a digital information and fault diagnosis system.

Number of revolutions, battery voltage, battery current, motor current, motor temperature and engine hours are displayed on the 52 mm round instrument. In case of low battery voltage, high temperature or errors, an alarm is signalled by a corresponding red light. Additionally an error code will appear on the digital display.



Propeller

Precision and excellence of the propeller are very important for the efficiency of the electric outboard motor.

For all **aquawatt** outboards stainless steel propellers are available in various dimensions. The strength of stainless steel allows for thin propeller blades. These propellers are very efficient and silent.

We have 30 years of experience in electric boating and can recommend the right propeller dimension for all applications. We cooperate with the world's premier outboard propeller manufacturer.



Steering

All standard cable steering systems can be used with **aquawatt** outboards. Therefore an existing steering system can be used when changing a conventional motor to an **aquawatt** outboard. This is a great advantage.

We also offer hydraulic steering systems.



Controls

All **aquawatt** outboard motors can be operated by any usual standard single-lever control. The terminals of the control cable should be of the type C2 10-32UNF. Single-lever controls are available for horizontal or vertical mounting in many different designs.



Power supply

An excellent battery is essential for the proper function of the motor. **aquawatt** offers a wide range of suitable high energy lithium batteries for all aquawatt motors.

aquawatt lithium batteries are made with advanced lithium iron phosphate cells. They are absolutely safe to operate, well-established and proven. The weight is only 30% of a conventional lead acid battery. The performance is much higher with 2,000 to 5,000 charging cycles. On average use, batteries last 10-15 years.

The voltage does also not decrease under high loads, which makes this battery a perfect power source for electric boats. All **aquawatt** lithium batteries are suitable for quick charge.

The battery values are displayed on all mobile Android devices via Bluetooth. The system indicates exactly how much of the battery capacity is available, also while charging.



The **aquawatt** battery and charger catalogue is available per your request and online. Do not hesitate to ask, if you want to use your own or third party batteries.

Development, manufacturing and sales

aquawatt Green Marine Technologies

Dieter Seebacher
Wasserstraße 1
9062 Moosburg Austria
T 0043 (0)4272 82 256
www.aquawatt.at
info@aquawatt.at



The information in this brochure is non-binding and can be changed without prior notice.